

D30 SILENT BOTTOM RAIL & ACCESSORIES

Introducing the latest addition to our bottom rail range, the D30 SILENT Bottom Rail features an updated architectural design for use with S35 (AU only), S45, R-Series and Skyline roller shades. Two discreet slot allocations allow for a bubble seal offering a quiet solution, and fabric brush for an improved light block-out shade.

**AESTHETICAL FEATURES**

- Slim and subtle design.
- Sleek hidden slots, maintaining a premium front view aesthetic.
- Available in Rollease Acmeda's standard roller blind colour range

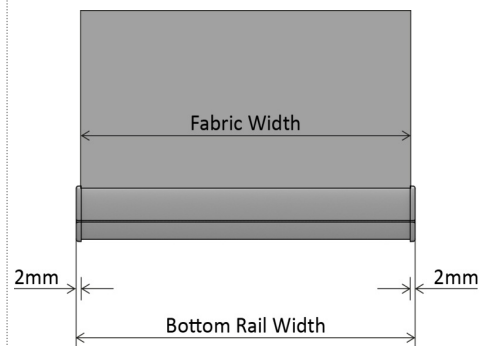
**PRODUCTION / ASSEMBLY FEATURES**

- Feeding Funnel set available for easy fabric assembly
- 15mm spline compatibility
- Improved end cap fitment onto bottom rail
- Styled wire guide end caps with secure fitment to bottom rail using screws

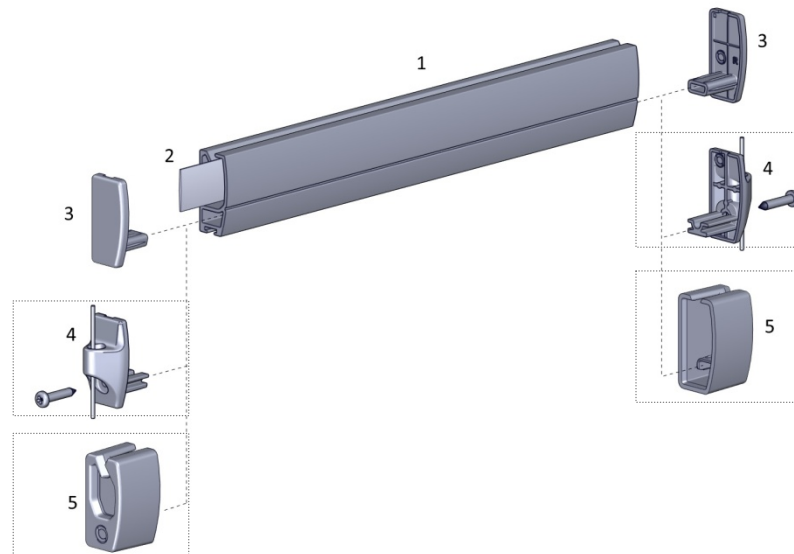
**FUNCTIONAL BENEFITS**

- Back and front allocations are interchangeable to hold either a bubble seal or fabric brush.
- A clear bubble seal can be added to assist maintaining a quiet environment, ensuring noise is muted when the bar comes in contact with window frames when disturbed by movement. (SB91-0005-001100)
- A fabric brush can be added to close up extra light gaps on cassette roller shades with side channels, providing an increased light block-out solution. (SB91-0011-050500)

**DEDUCTIONS**



Bottom Rail Width = Fabric Width + 4mm



SYSTEM INDEX

1.	D30 SILENT Bottom Rail – 14 x 31mm RB91-1232-xxxLLL
2.	15mm Flat Spline RB92-150x-001xxx
3.	D30 Medium End Cap · RH & LH Set RB91-2131-xxx002
4.	D30 Medium Wire Guide End Caps LH & RH Set RB91-2231-xxx002
5.	D30 Medium Bottom Rail Funnel LH & RH Set RB91-7030-393000

xxx = colour

COLOUR RANGE

pure white 069	*bone 280	*sandstone 269	*barley 283	anodised 020
*dune 428	*bronze pearl 082	vanilla 414 US Only	bronze 080 US Only	black 050

\* = AU only

INTERCHANGABLE SLOTS

