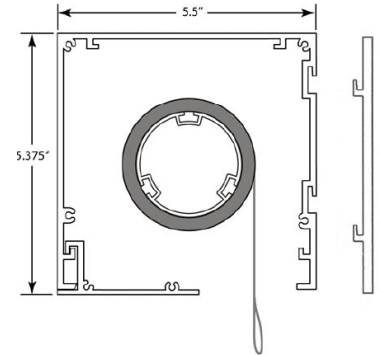


Shade Pocket with Closure Plate:

This aluminum extrusion covers the top, front and back of the Roller Shade. If installed as an inside mount, it is recommended to drill through the top of the fascia into the ceiling. If installed as an outside mount, heavy-duty brackets are provided. A 3" Bottom Closure Plate conceals the bottom of the Roller Shade.

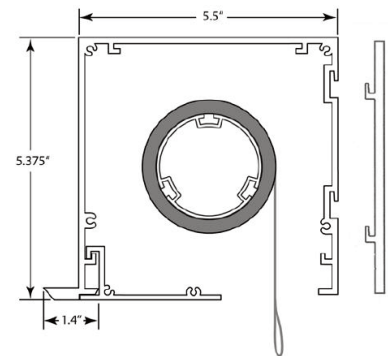
Roll: Available for regular roll and reverse roll shades
 Color: White & Clear Anodized
 Mount: Inside or Outside
 Clutch: M16 or M24
 Motor: AC or DC
 Minimum Width: 18"
 Maximum Width: 240"
 Dimensions: 5 1/2" Deep x 5 3/8" Tall



Shade Pocket with Closure Plate & Ceiling Tile Receiver:

Aluminum extrusion covers the top, front and back of the Roller Shade. This valance is generally mounted above the ceiling and ceiling tiles rest on the receiver lip at the front edge of the extrusion. A 3" Bottom Closure Plate conceals the bottom of the Roller Shade.

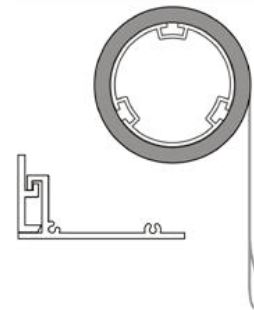
Roll: Available for regular roll and reverse roll shades
 Color: White & Clear Anodized
 Mount: Inside or Outside
 Clutch: M16 or M24
 Motor: AC or DC
 Minimum Width: 18"
 Maximum Width: 240"
 Dimensions: 5 1/2" Deep x 5 3/8" Tall



Wall Hanger with Closure Plate for Dry Wall Pocket:

A 3" Bottom Closure Plate conceals the bottom of the Roller Shade.

Roll: Available for regular roll and reverse roll shades
 Color: White
 Mount: Inside
 Clutch: M16 or M24
 Motor: AC or DC
 Minimum Width: 18"
 Maximum Width: 240"
 Dimensions: Customizable per user specification



Dual Shade Pocket with Closure Plate:

Aluminum extrusion covers the top, front and back of a dual Roller Shade system. If installed as an inside mount, it is recommended to drill through the top of the fascia into the ceiling. If installed as an outside mount, heavy-duty brackets are provided. A 3" Bottom Closure Plate conceals the bottom of the Roller Shade.

Roll: Available for regular roll and reverse roll shades
 Color: White
 Mount: Inside or Outside
 Clutch: M16 or M24
 Motor: AC or DC
 Minimum Width: 18"
 Maximum Width: 240"
 Dimensions: 7" Deep x 9" Tall

