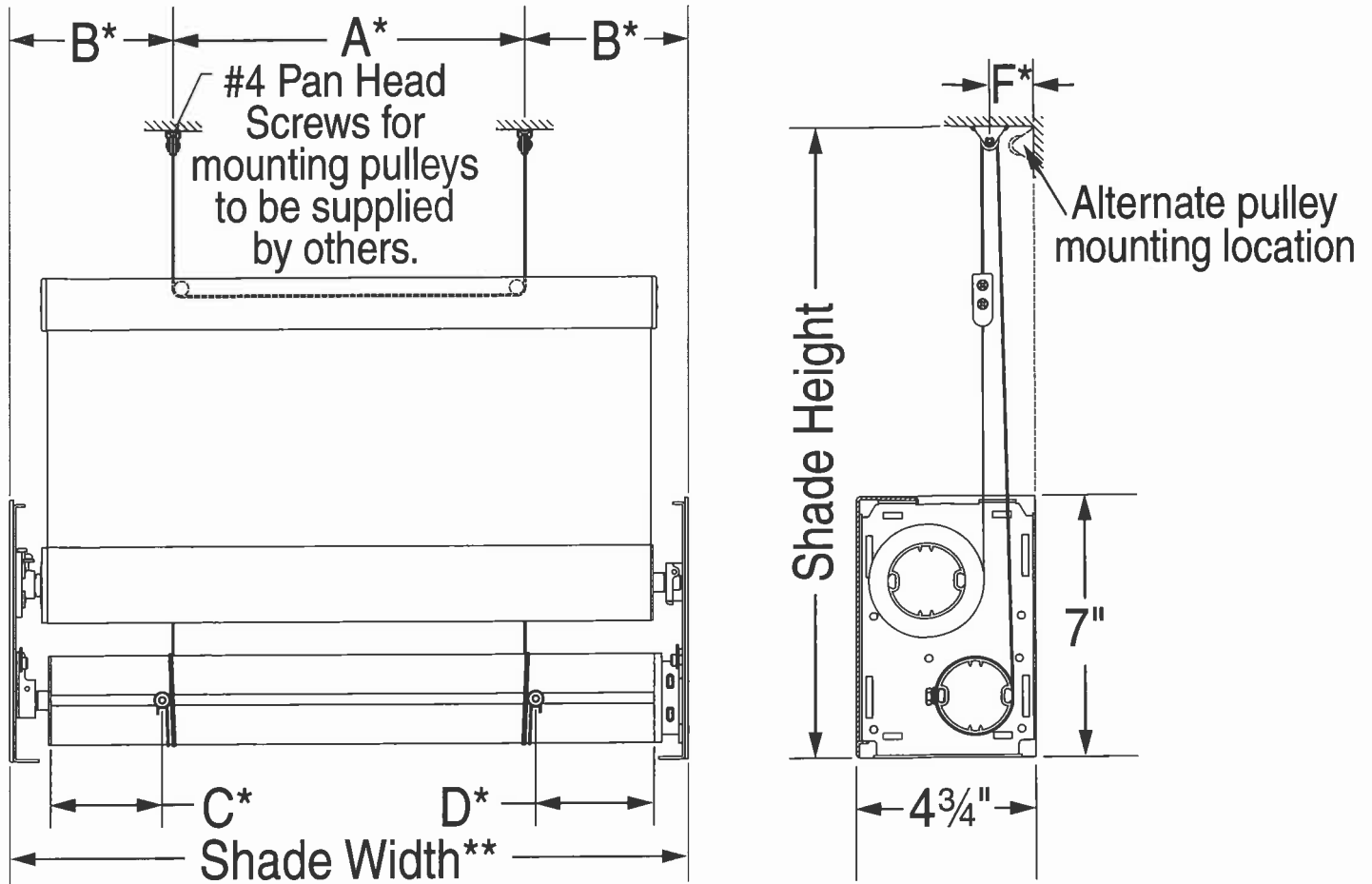


Dimensions



- * These dimensions are different for each shade and are provided by Draper with your order.
- Dimension "A" is the vertical cable spacing.
- Dimension "B" is the distance from the vertical cable spacing to the vertical edge of the shade.
- Dimension "C" is the distance from the idler-end of the tube to the center of the cable attachment stud.
- Dimension "D" is the distance from the operator-end of the tube to the center of the cable attachment stud.
- Dimension "F" is the distance from the wall/jamb to the center of the cable pulley.

Shade Width = Fabric Width + A

Operator	Dim A
110-220V Standard/ILT	1 3/4"
110-220V Quiet	1 15/16"

Specifications

Equipment

Electric Operator: Drive unit inside roller, 4-wire, instantly reversible, lifetime lubricated. **Right hand motor location standard**, left hand available. Adjustable limit switches, thermal overload protector and electric brake. Operates on 110-120V AC 1 PH 60 HZ current. Draws 1.1 Amps. For controls, see IntelliFlex® Controls Reference Sheet and IntelliFlex Controls Planning Sheet.

RTS Operator: Drive unit inside roller, 3-wire, instantly reversible, lifetime lubricated. **Right hand motor location standard**. Left hand available. Built-in radio receiver. Limit switches adjustable using wall switch or remote control.

Thermal overload protector and electric brake. Operates on 110-120V AC 1 PH 60 HZ current. Draws 1.1 Amps.

Hardware

Rollers: Size—4" O.D. steel tube. Roller assembly easily removable.

Mounting Brackets: 1018 plated steel stamping, suitable for mounting to wall, ceiling, or jamb. Brackets do not require additional adapters.

Roller Idler Assembly: Zinc-plated steel shaft supported by roller bearings in an aluminum housing.

Slat: $13/16$ " aluminum dowel, encased in heat sealed hem.

Endcaps: 1028 steel stamping. Complete with adapter roller bracket. Installs to wall, ceiling, or jamb. Accepts fascia or headbox. Clear anodized (standard), or black, white, ivory, or bronze powder coat finish available.

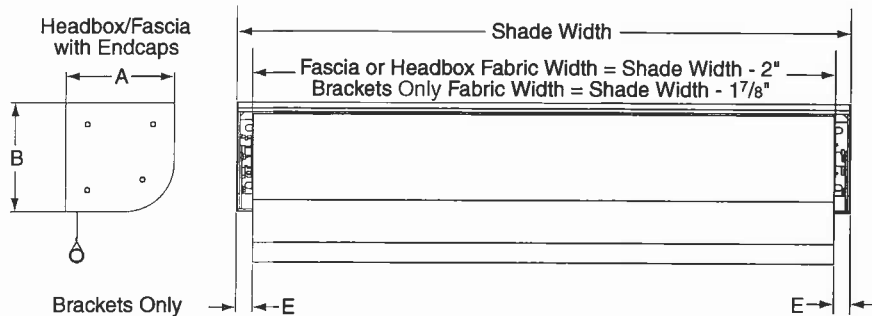
Fascia: $6\frac{1}{2}$ " x $6\frac{1}{2}$ " curved or square cover of extruded aluminum, .125 wall. Assembly snaps onto endcaps without exposed fasteners. Clear anodized (standard), or black, white, ivory, or bronze powder coat finish available.

Headbox: $6\frac{5}{8}$ " x $6\frac{5}{8}$ " curved or square fascia and L-shaped back/top cover to be fabricated of extruded aluminum. Clear anodized (standard), or black, white, ivory, or bronze powder coat finish available.

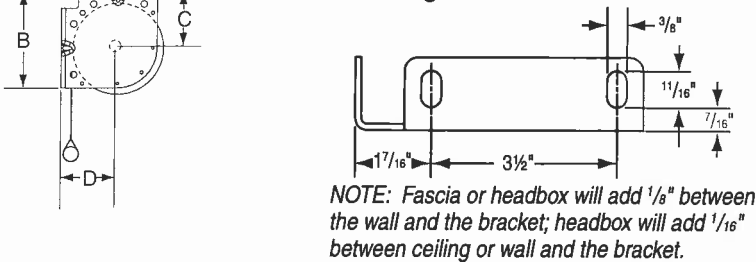
Please note: Dimensions of rollers, operators and hardware at manufacturer's discretion.

Downloadable 3-part specifications are available at www.draperinc.com.

FlexShade 2 Dimensions



Mounting Hole Dimensions/Locations

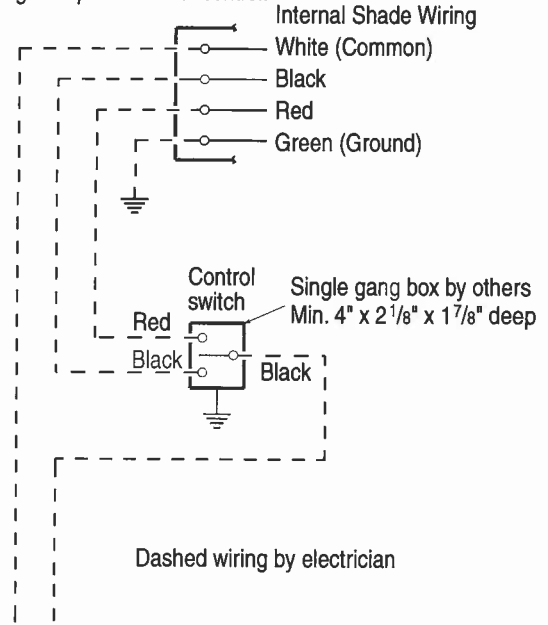


	Headbox with Endcaps	Fascia with Endcaps	Brackets Only
A	$6\frac{5}{8}$ "	$6\frac{1}{2}$ "	$5\frac{7}{16}$ "
B	$6\frac{5}{8}$ "	$6\frac{1}{2}$ "	$5\frac{7}{16}$ "
C	N/A	N/A	$3\frac{1}{4}$ "
D	N/A	N/A	$3\frac{1}{4}$ "
E	1"	1"	$1\frac{5}{16}$ "

Please Note: Maximum bundle diameter is $5\frac{1}{4}$ " (with Headbox, Fascia or Brackets)

Single Shade Wiring Diagram

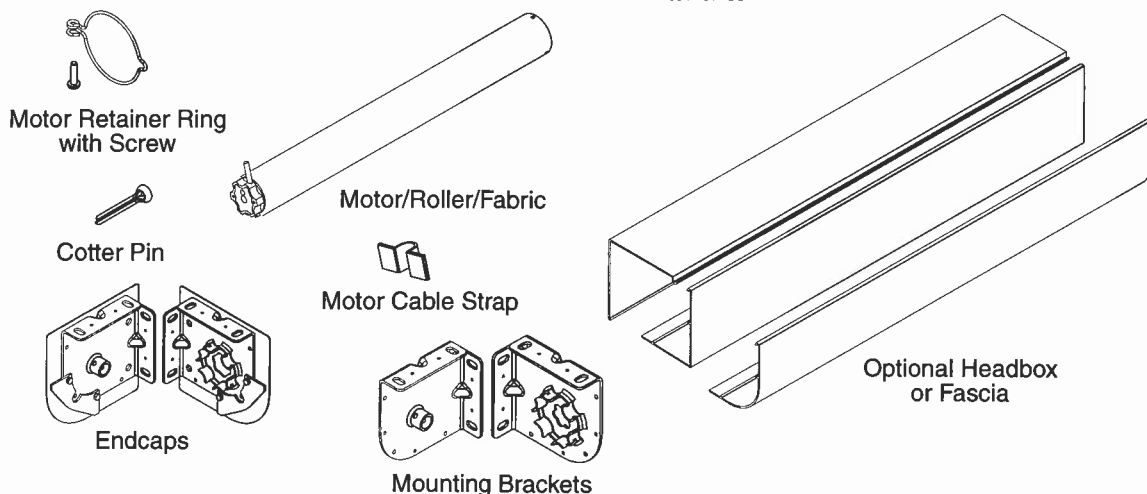
For multiple shades or low voltage wiring, please consult diagrams provided with control.



To 110-120V Line

NOTE: Test shade operation. If shade direction does not correspond with the switch orientation, turn power back off and switch the red and black wires from the motor to the switch.

FlexShade 2—Hardware/Parts



Specifications—Motorized Dual Roller FlexShade

Two rollers mounted to a single set of endcaps, to accept fascia.

Method of Operation

Standard 110-120V AC Electric Operator: Drive unit inside roller, 4-wire, instantly reversible, lifetime lubricated. **Right hand motor location standard.** Left hand available. Adjustable limit switches, thermal overload protector and electric brake. Operates on 110-120V AC 1 PH 60 HZ current. Draws 1.1 Amps. For controls, see IntelliFlex® Controls Reference Sheet and IntelliFlex Controls Planning Sheet.

Quiet 110-120V AC Electric Operator: Drive unit inside roller, 4-wire, instantly reversible, lifetime lubricated. **Right hand motor location standard.** Left hand available. Adjustable limit switches, thermal overload protector and electric brake. Operates on 110-120V AC 1 PH 60 HZ current. Draws 1.1 Amps. Operates at or below sound level of 44 Db. For controls, see IntelliFlex® Controls Reference Sheet and IntelliFlex Controls Planning Sheet. Call Draper for size limitations when using quiet motors.

Quiet 110-120V AC Radio Technology Electric Operator: Drive unit inside roller, 3-wire, instantly reversible, lifetime lubricated. **Right hand motor location standard.** Left hand available. Built-in radio receiver. Limit switches adjustable using wall switch or remote control. Thermal overload protector and electric brake. Operates on 110-120V AC 1 PH 60 HZ current. Draws 1.1 Amps. Operates at or below sound level of 44 Db. Call Draper for size limitations when using quiet motors.

110-120V AC ILT Electric Operator: Drive unit inside roller, 3-wire, instantly reversible, lifetime lubricated. **Right hand motor location standard.** Left hand available. Built-in encoder and low voltage controller with data cable. Limit switches adjustable using wall switch or remote control. Thermal overload

protector and electric brake. Operates on 110-120V AC 1 PH 60 HZ current. Draws 1.1 Amps.

110-120V AC ILT Quiet Electric Operator: Drive unit inside roller, 3-wire, instantly reversible, lifetime lubricated. **Right hand motor location standard.** Left hand available. Built-in encoder and low voltage controller with data cable. Limit switches adjustable using wall switch or remote control. Thermal overload protector and electric brake. Operates on 110-120V AC 1 PH 60 HZ current. Draws 1.1 Amps. Operates at or below sound level of 44 Db. Call Draper for size limitations when using quiet motors.

Hardware

Endcaps: 1028 steel stamping. Complete with adapter roller bracket. Installs to wall or ceiling. Accepts fascia.

Rollers: Extruded aluminum or steel. Roller assembly easily removable.

Roller Idler Assembly: Type 6/6 injected molded nylon and a spring-loaded or sliding pin for easy installation and removal of the roller.

Fascia: L-shaped cover of extruded aluminum, .060 wall. Assembly snaps onto endcaps without exposed fasteners. **Clear Anodized (standard)**, black, white, ivory, or bronze powder coat finish available.

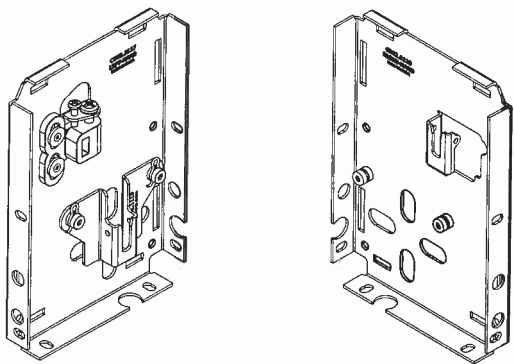
Fabric Retainer: ¼" OD .17" ID linear low-density polyethylene tubing, inside heat seamed hem.

Hem-bar: Machine extruded aluminum, finished to match fascia. **Clear Anodized (standard)**, black, white, ivory, or bronze powder coat finish available. Includes built-in pulley assemblies for lifting cables.

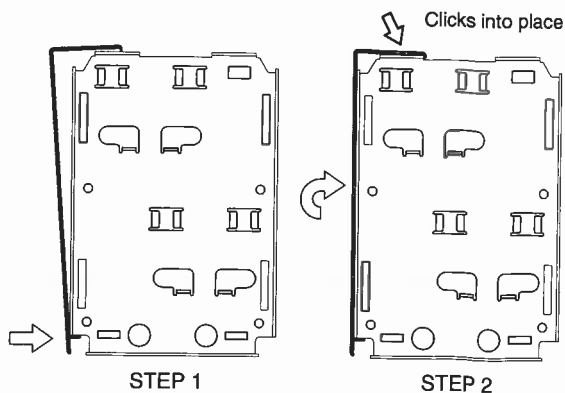
Lifting Cable: 0.046" OD 7x19 strand low-stretch high fatigue nylon-coated cable.

Shade Fabrics:

Please see Draper's Shade Fabric Reference Sheet for specifications.



Motorized Endcaps



Fascia Attachment