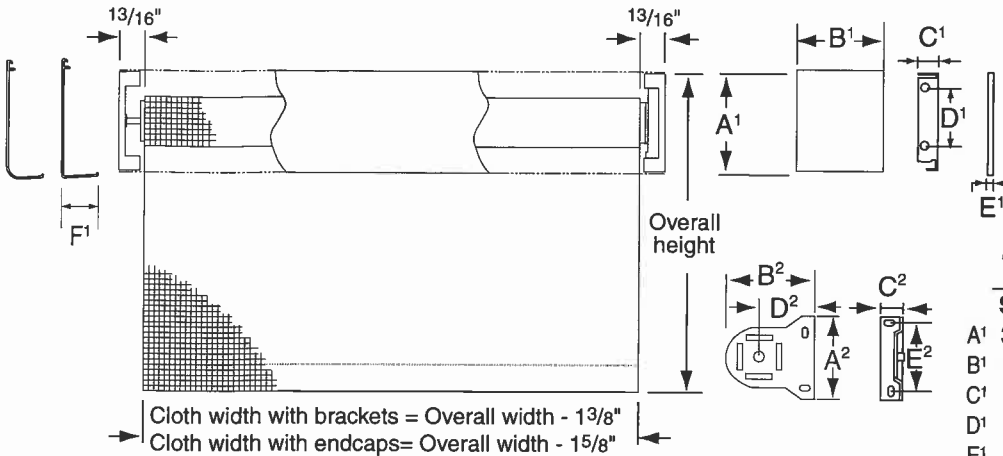


**Please Note:** To specify dual roller units, please see submittal forms for Access Dual Roller FlexShade and Dual Roller FlexShade with Fascia.

## Components

- |   |  |  |
|---|--|--|
| 1. Optional Bracket Cover (white), \$2 each | 7. Spring Loaded Idler End                       | 13. Aluminum Fascia Panel (square or radius) |
| 2. Universal Mounting Bracket               | 8. Slat Bar—2 <sup>1/8</sup> " Sealed Hem Pocket | 14. Large Aluminum Fascia Panel              |
| 3. Large Plastic Endcap Cover               | 9. Clutch  | 15. Dual Roller Aluminum Fascia Panel        |
| 4. Large Endcap                             | 10. Bead Chain with Hold Down                    |  |
| 5. Plastic Endcap Cover                     | 11. Dual Roller Endcap Cover                     |  |
| 6. Endcap                                   | 12. Dual Roller Endcap                           |  |

## Dimensions—Clutch-Operated FlexShade



When measuring shade height, remember to include endcaps and fascia or headbox.

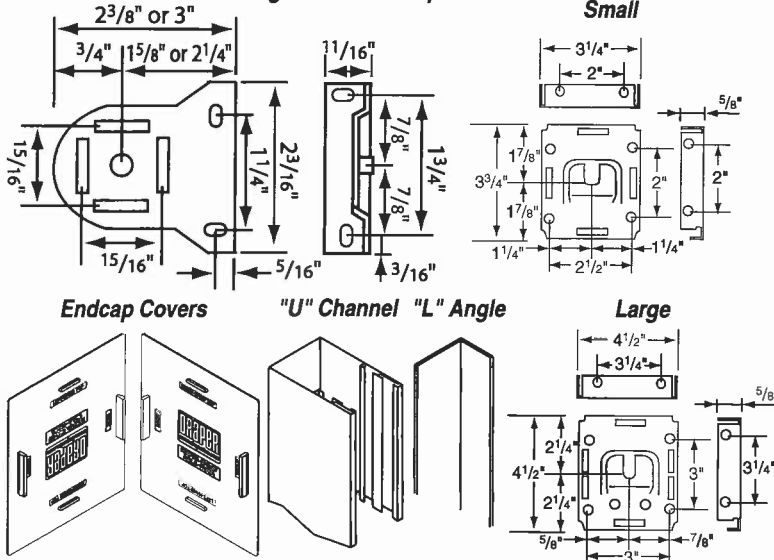
|                | Headbox with Endcaps              |                                   | Fascia with Endcaps              |                                  | Brackets*      |  |
|----------------|-----------------------------------|-----------------------------------|----------------------------------|----------------------------------|----------------|--|
|                | Small                             | Large                             | Small                            | Large                            | Small          | Large  |
| A <sup>1</sup> | 3 <sup>15</sup> / <sub>16</sub> " | 4 <sup>11</sup> / <sub>16</sub> " | 3 <sup>7</sup> / <sub>8</sub> "  | 4 <sup>5</sup> / <sub>8</sub> "  | A <sup>2</sup> | 2 <sup>3</sup> / <sub>16</sub> "    2 <sup>3</sup> / <sub>16</sub> " |
| B <sup>1</sup> | 3 <sup>7</sup> / <sub>16</sub> "  | 4 <sup>11</sup> / <sub>16</sub> " | 3 <sup>3</sup> / <sub>8</sub> "  | 4 <sup>5</sup> / <sub>8</sub> "  | B <sup>2</sup> | 2 <sup>3</sup> / <sub>8</sub> "    3"                                |
| C <sup>1</sup> | 5/8"                              | 5/8"                              | 5/8"                             | 5/8"                             | C <sup>2</sup> | 1 <sup>1</sup> / <sub>16</sub> "    1 <sup>1</sup> / <sub>16</sub> " |
| D <sup>1</sup> | 2"                                | 3 <sup>1</sup> / <sub>4</sub> "   | 2"                               | 3 <sup>1</sup> / <sub>4</sub> "  | D <sup>2</sup> | 1 <sup>5</sup> / <sub>8</sub> "    2 <sup>1</sup> / <sub>4</sub> "   |
| E <sup>1</sup> | 1/16"                             | 3/32"                             | 1/16"                            | 3/32"                            | E <sup>2</sup> | 1 <sup>3</sup> / <sub>4</sub> "    1 <sup>3</sup> / <sub>4</sub> "   |
| F <sup>1</sup> | 1 <sup>3</sup> / <sub>16</sub> "  | 1 <sup>9</sup> / <sub>16</sub> "  | 1 <sup>3</sup> / <sub>16</sub> " | 1 <sup>9</sup> / <sub>16</sub> " | F <sup>2</sup> | N/A    N/A   |

Above dimensions based upon 20 lb. clutch and 1 1/2" diameter roller.

\* Small brackets are supplied with #10 and #20 clutch. Large bracket optionally available at Draper's discretion. For #24 clutch, contact Draper for dimensions.

(Fascia Overall Width includes plastic endcap covers) (Pair adds 1/8" to Overall Width)

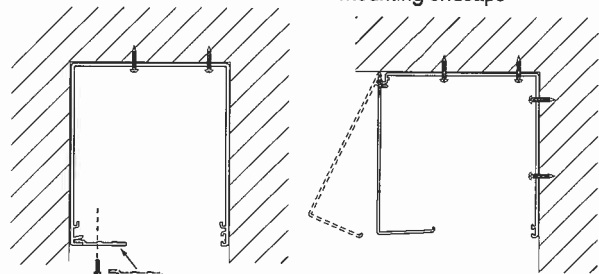
### Mounting Bracket/Endcap Dimensions



### Headbox Installation Options

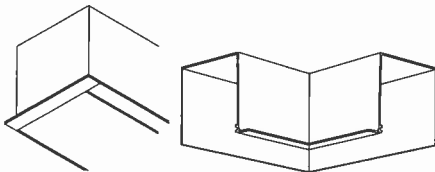
Pocket style headbox consists of Draper's extruded pocket with bottom closure panel and ceiling/wall mounting endcaps

Surface style headbox consists of fascia, back/top cover and ceiling/wall mounting endcaps



### Pocket Options

Type D pocket, white in color, features a 4 1/2" x 4 5/8" cross-section. A lip along lower edge supports lay-in ceiling. Suitable for use with clutch operated FlexShades. Pre-welded corners and pocket ends are available. Ends provided with tile support lip (shown).



Typical Type D pocket  
Typical Type D pre-welded corner section (not to scale)

### Type D Pocket

