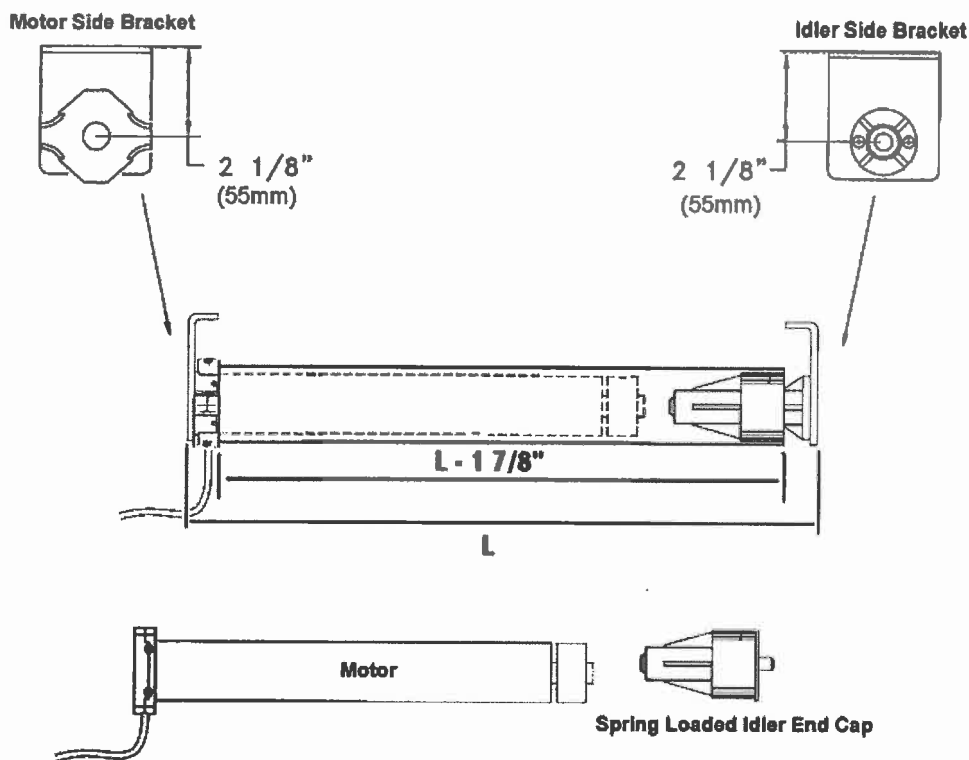


Product Cut Sheet: Motorized Shade System

Colton Contract motorized roller shades are available with either 120-volt AC or 24-volt DC motors. They have been designed to meet both U.S. and European electrical standards. Motors are available in several sizes, speeds, and lift capabilities for use with virtually any size window shade. The motors are fully encapsulated for greater shock resistance, along with quieter operation. The three central components of a roller shade motor are the Limit Switches, which regulate the top and bottom limits of the shade, the Brake designed for maximum strength and durability, and the Gear Mechanism engineered for versatility of lift speed output.

AC Motorized Shade System

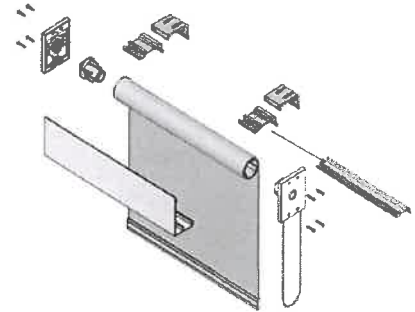


Controlling shade motors can be as simple as using a single wall switch operating one shade or creating fully integrated systems controlling shade motors in groups, sub-groups, and individually by use of:

- Remote control transmitters
- Wall Switches
- 24-hour timers
- Sun sensors
- Building maintenance integration devices

Flat front fascia blends with internal structural shapes of commercial buildings, offering aesthetically pleasing, easy to maintain closure for Roller Shades. Snap-on brackets provide quick and easy on-site installation. Commercial quality clutch can be placed on either side of the cassette. Height-adjustable idler end allows level correction without need for shims. Cassette size 3 1/8" by 4" easily fits inside typical window openings.

Roll:	Available for regular roll only	Tube:	1 1/2" Tube up to 96" wide
Color:	Anodized, Alabaster, Black, Bronze or White	Min. Width:	20"
Mount:	Inside or Outside	Max. Width:	114"
Clutch:	CS Clutch 16 lb.	Min. Length:	20"
Idle Side:	Adjustable height position	Max. Length:	120"
Motor:	DC		
Control:	Right or Left		



LEVEL CORRECT BRACKET™ For Fascia:

The LEVEL CORRECT BRACKET™ allows installers to level the Roller Shade without removing and re-installing brackets. By removing a small allen wrench that is provided on the inside of each bracket, installers can raise or lower the idler pin end of the Roller Shade with a simple turn of a basic set screw located at the bottom opening of the fascia bracket. This bracket is available with clutch operated or motorized shades ordered with 3" or 4" fascia valances.

Bracket Dimensions:

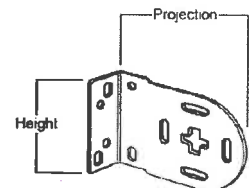
Clutch & Bracket Used	Ceiling Mount Installation		Wall Mount Installation	
	Projection	Height	Projection	Height
3" Fascia M-Series Bracket	3"	3"	3"	3"
4" Fascia M-Series Bracket	4"	4"	4"	4"



Standard Non-Fascia Bracket:

Bracket Dimensions:

Clutch & Bracket Used	Ceiling Mount Installation		Wall Mount Installation	
	Projection	Height	Projection	Height
1 1/4" M8 Clutch Bracket	1 7/8"	2 3/8"	2 3/8"	1 7/8"
1 1/2" M16 Clutch Bracket	2 7/8"	2 5/8"	2 5/8"	2 7/8"
1 3/4" M24 Clutch Bracket	3 1/4"	3"	3"	3 1/4"

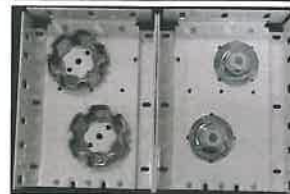


Bracket Shown as used in Wall Mount Installation

7" Dual Shade Brackets:

Bracket Dimensions:

Width: 5"
Height: 7 1/2"



Motor Dual Brackets



Manual Bracket

Standard Motor Brackets:

Bracket Dimensions:

Clutch & Bracket Used	Ceiling Mount Installation		Wall Mount Installation	
	Projection	Height	Projection	Height
Standard Motor Bracket	2 1/2"	2 7/8"	2 7/8"	2 1/2"
Fascia Motor Bracket	4"	4"	4"	4"



Fascia Motor Bracket

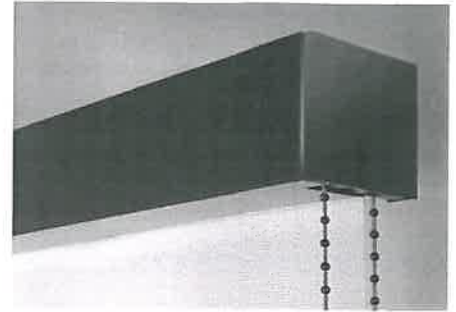
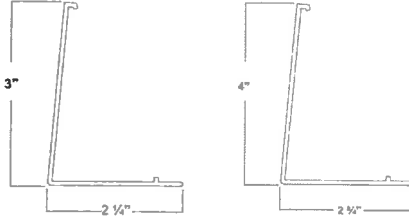


Standard Non-Fascia Motor Bracket

3" and 4" Square Aluminum Fascia Valance:

These "L"-shaped aluminum extrusions cover the front and bottom of the roller. Valances lock to brackets by means of snap-in fittings. The roller is concealed behind the valance and the bottom of the shade drops from the back of the valance when lowered.

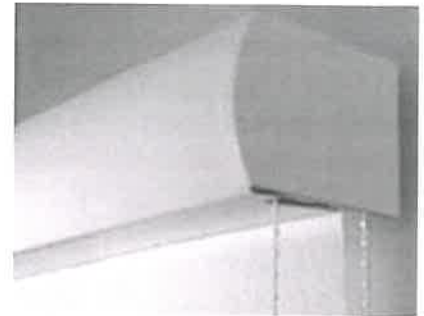
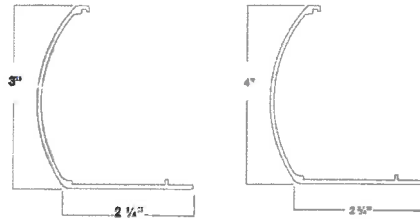
Roll: Available for regular roll only
Color: Alabaster, Black, Bronze, Clear Anodized & White
Mount: Inside or Outside
Clutch: M16 (3"), M24 (4")
Motor: DC (3" or 4"), AC (4" only)
Minimum Width: 18"
Maximum Width: 240"



3" and 4" Round Aluminum Fascia Valance:

These aluminum extrusions offer a contoured appearance, softer than traditional square fascias. Valances cover the front and bottom of the roller and lock to its brackets by means of snap-in fittings. The roller is concealed behind this valance and the bottom of the shade drops from the back of the valance when lowered.

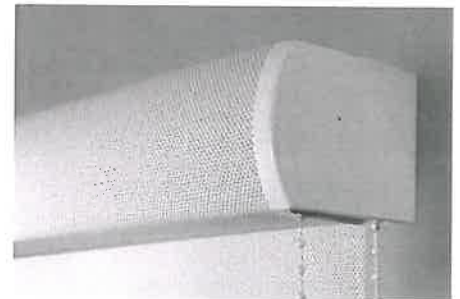
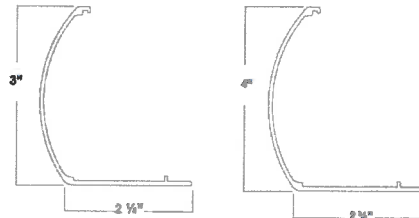
Roll: Available for regular roll only
Color: Black, Clear Anodized & White
Mount: Inside or Outside
Clutch: M16 (3"), M24 (4")
Motor: DC (3" or 4"), AC (4" only)
Minimum Width: 18"
Maximum Width: 240"



3" and 4" Fabric Wrapped Fascia Valance:

These Round Aluminum Fascia Valances include fabric matching the Roller Shade wrapped around the aluminum extrusion. Valances cover the front and bottom of the roller and lock to its brackets by means of snap-in fittings. The roller is concealed behind the valance and the bottom of the shade drops from the back of the valance when lowered.

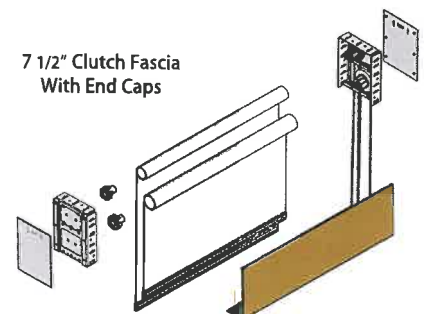
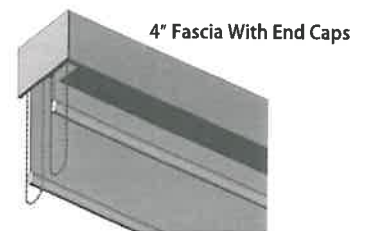
Roll: Available for regular roll only
Color: Valance fabric matches shade
Mount: Inside or Outside
(Outside Recommended)
Clutch: M16 (3"), M24 (4")
Motor: DC (3" or 4"), AC (4" only)
Minimum Width: 18"
Maximum Width: 240"



4" and 7 1/2" Dual Square Fascia:

For applications where both Sunscreen and Room Darkening shades are required, the 4" and 7 1/2" Square Aluminum Fascia Valances offer a solution. These "L"-shaped aluminum extrusions cover the front and bottom of the front-most Roller Shade. These valance accessories lock to their brackets by means of snap-in fittings. The front roller is concealed behind the valance and the bottom of the shade drops from the back of the valance when lowered.

Roll: Available for regular roll only
Color: Alabaster, Black, Bronze, Clear Anodized & White
Mount: Inside or Outside
Clutch: M16 (4")
Motor: Sunscreen Shade (Front) M24 & Room Darkening Shade (Back) (7 1/2")
Control: Right/Right or Left/Left Chain Controls
Minimum Width: 18"
Maximum Width: 240"
Bracket Dimensions: 4" Height x 5 3/4" Depth; 7 1/2" Height x 5 3/4" Depth



Sonesse® ULTRA 50 RTS

Star Head and Round Head Motors



Radio Technology Somfy® (RTS) allows for wireless radio control of motorized window coverings via the RTS family of controls.

506A2 1002562
506A2RH 1002564



Technical Features

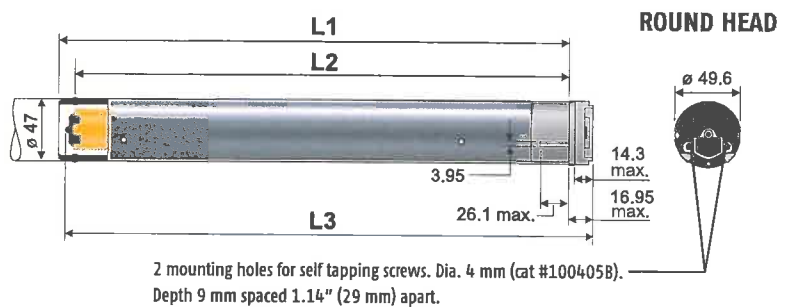
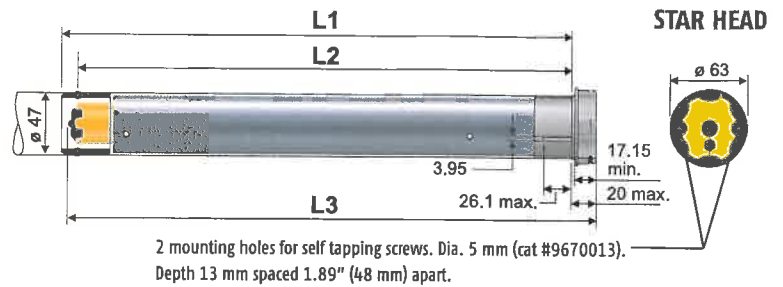
Voltage Supply	120V AC, 60Hz
Index Protection Rating	IP 31 (interior use)
Limit Switch Type	Electronic RTS
Limit Switch Capacity	250 Turns
Temperature Working Range	32°F to 140°F (0°C to 60°C) (Interior use only)
Insulation Class	Class 1 for 120V AC
Antenna	Integrated into power cord. Power cord must be at least 12 inches and must not come in contact with metal.
Wiring	Parallel wiring allowed in accordance with NEC and local electrical codes.

Specifications

Torque	6 Nm
* Minimum Torque	0.4 Nm
Nominal Voltage	120V / 60Hz
Rated Current	.95A
Speed	24 rpm
Thermal Protection	4 minutes
Radio Frequency	433.42 MHz
** Sound Level	≤ 38 dBA



Dimensions



Dimensions

L1	31.8 in (808 mm)
L2	31.3 in (795 mm)
L3	SH 32.4 in (823 mm) RH 32.3 in (820 mm)
SJTW Power Cable Length	9.8ft (3 m)

Optional cables with NEMA plugs available in 3 ft, 6 ft, 12 ft, 18 ft, 24 ft.

* **Minimum Torque:** Minimum application weight to ensure smooth operation.

** **Sound Level:** According to standards ISO 3741 NF 31022 in dBA ref 1pW at nominal torque without end product.

Fabrication Recommendations:

- Operational noise level is reduced when motor, tube, and mechanical accessories are properly adapted to motorized applications.
- Free play must be minimized between the accessories and the end product tube to ensure quiet performance of the motor. Due to the variances of standard aluminum extrusion tolerances, it is recommended to screw the drive wheel & pin end to immobilize them and ensure quiet performance throughout the life of the product.
- Interior Tube Diameter (ID) > 47 mm must be respected.
- A motor crown adaptor between motor and end product tube is required to ensure concentric operation of motor.
- 500 Series Drive Stop and Screw (9910004) is recommended to prevent noise and drive wheel separation from motor shaft.
- Somfy Soft Clip Drive Wheel Adaptors (brown in color) are not recommended.

Type of power cable

RTS
120V AC / 60Hz
3 conductor cable

white = neutral
black = hot
green = ground