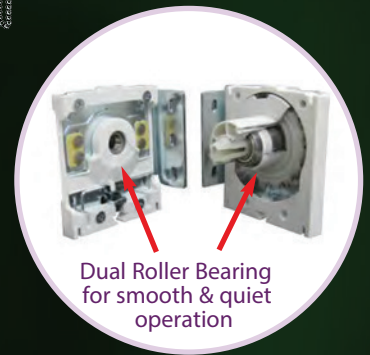
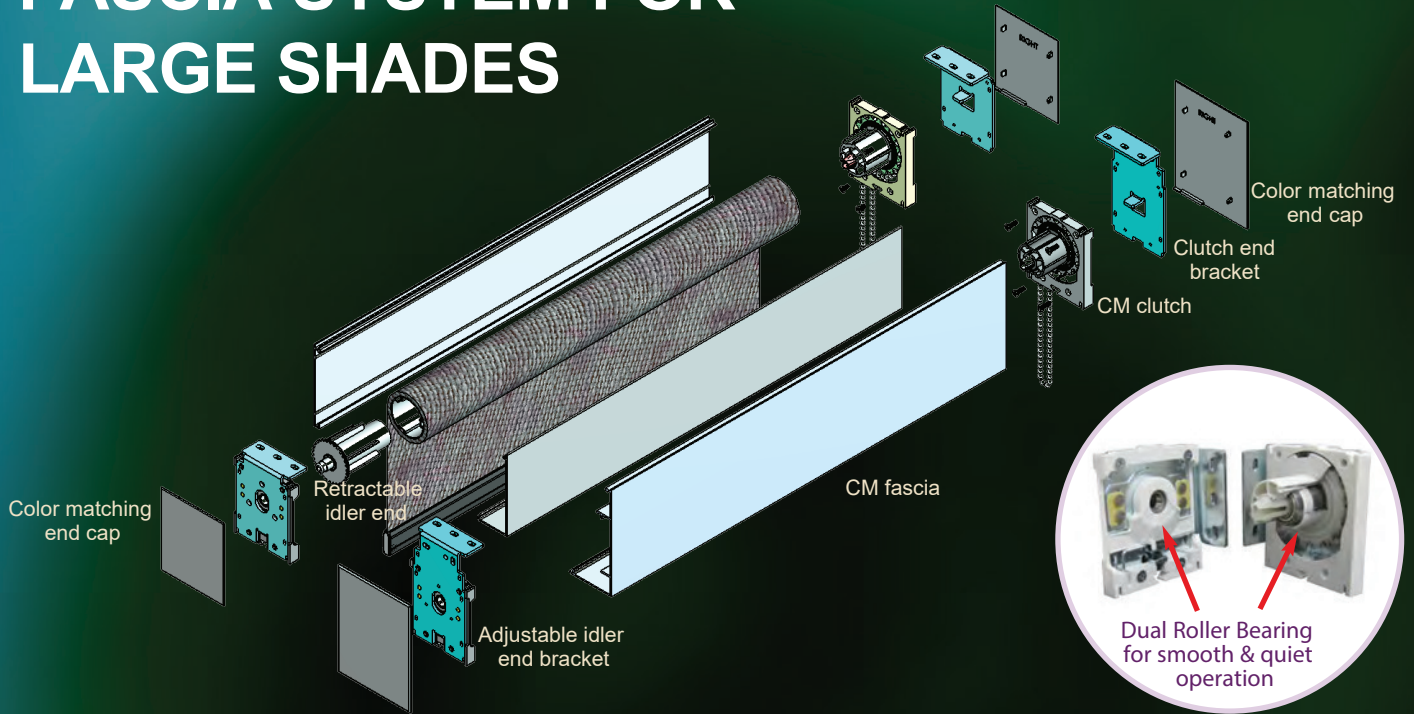


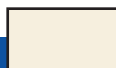
## HEAVY DUTY FASCIA SYSTEM FOR LARGE SHADES



### FEATURES & BENEFITS

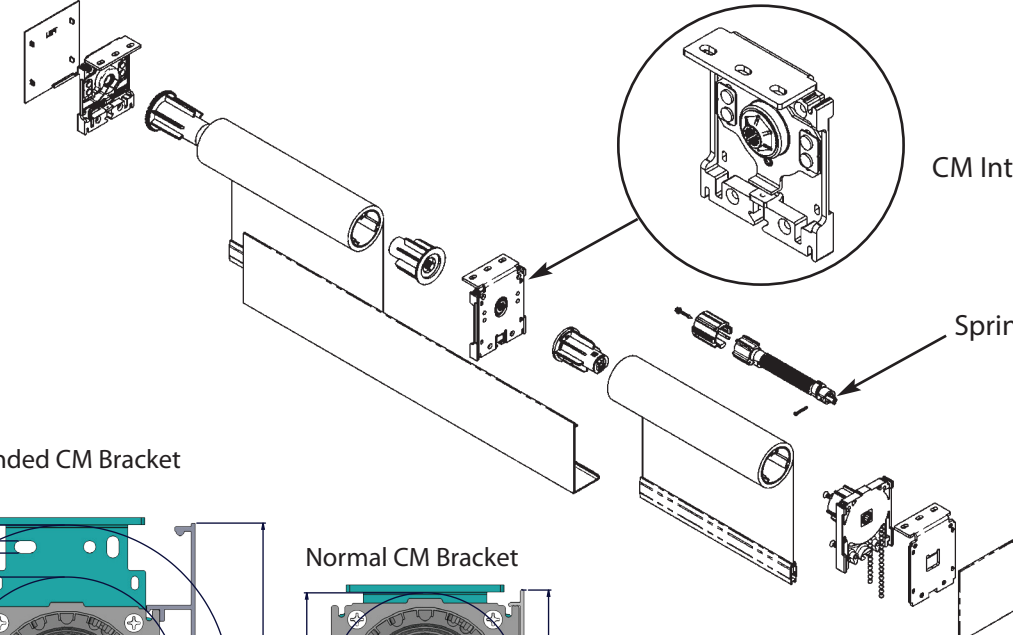
|   |   |  |   |
|---|---|--|---|
| <p><b>1</b></p> <p>Fascia ready to install, not need to be notched.</p>                   | <p><b>2</b></p> <p>Ceiling and Wall mounting options.</p> | <p><b>3</b></p> <p>Retractable &amp; Spring loaded Idler End for easy installation</p>         | <p><b>4</b></p> <p>Adjustable Idler End bkt for easy leveling of the shades.</p> <p>Down Up Allen Key</p> |
| <p><b>5</b></p> <p>Adjustable intermediate bracket for multi-band shade applications.</p> | <p><b>6</b></p> <p>Fascia can easily snap on and off.</p> | <p><b>7</b></p> <p>Easy to install. Slide tube into CM clutch and clutch into the bracket.</p> | <p><b>8</b></p> <p>Compatible with 1-1/2" and 1-3/4" aluminum tubes, and Spring Assist system</p>         |

See reverse side for details



# CM FASCIA SYSTEM

## FOR MULTI-BAND SHADES APPLICATION



CM Intermediate Bracket

Spring Assist

Extended CM Bracket

Normal CM Bracket

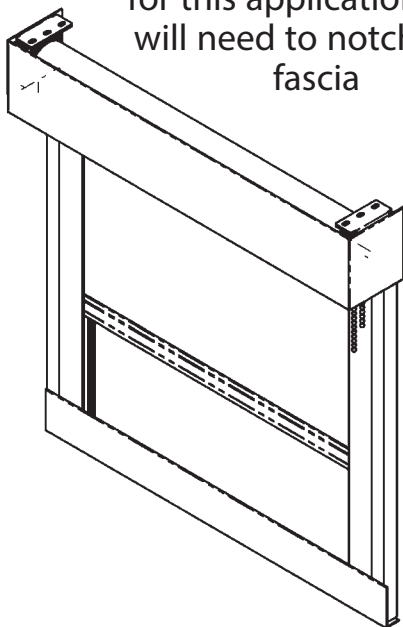
Recommended Max. Drop of Fabric\*

|                |            | Normal CM BKT | EXTENDED CM BKT                                    |
|----------------|------------|---------------|--|
| Max. Roll Dia. |            | 3" [76.2]     | 3.6" [91.5] (w/Fascia)<br>5.28" [134] (w/o Fascia) |
| Max. Drop      | 1.5" tube  | 14ft [4.2m]   | 21ft [6.4m] w/Fascia<br>52ft [15.6m] w/o Fascia    |
|                | 1.75" tube | 12.5ft [3.8m] | 20ft [6.0m] w/Fascia<br>50ft [15m] w/o Fascia      |

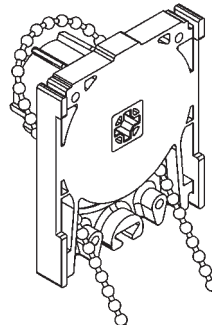
\*Fabric thickness: 0.81mm(0.032")

### COMPATIBLE WITH OUR SIDE CHANNEL SYSTEM

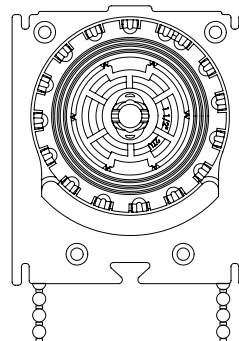
for this application you will need to notch the fascia



### EASY BALL CHAIN INSTALLATION



Place the chain through the slots



and pull the chain to rotate the sprocket. The chain will slide in the right position.