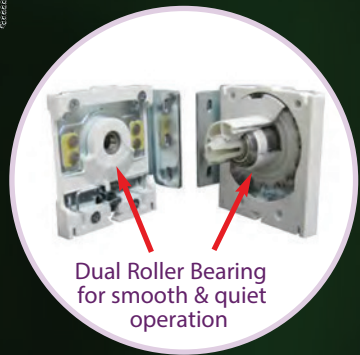
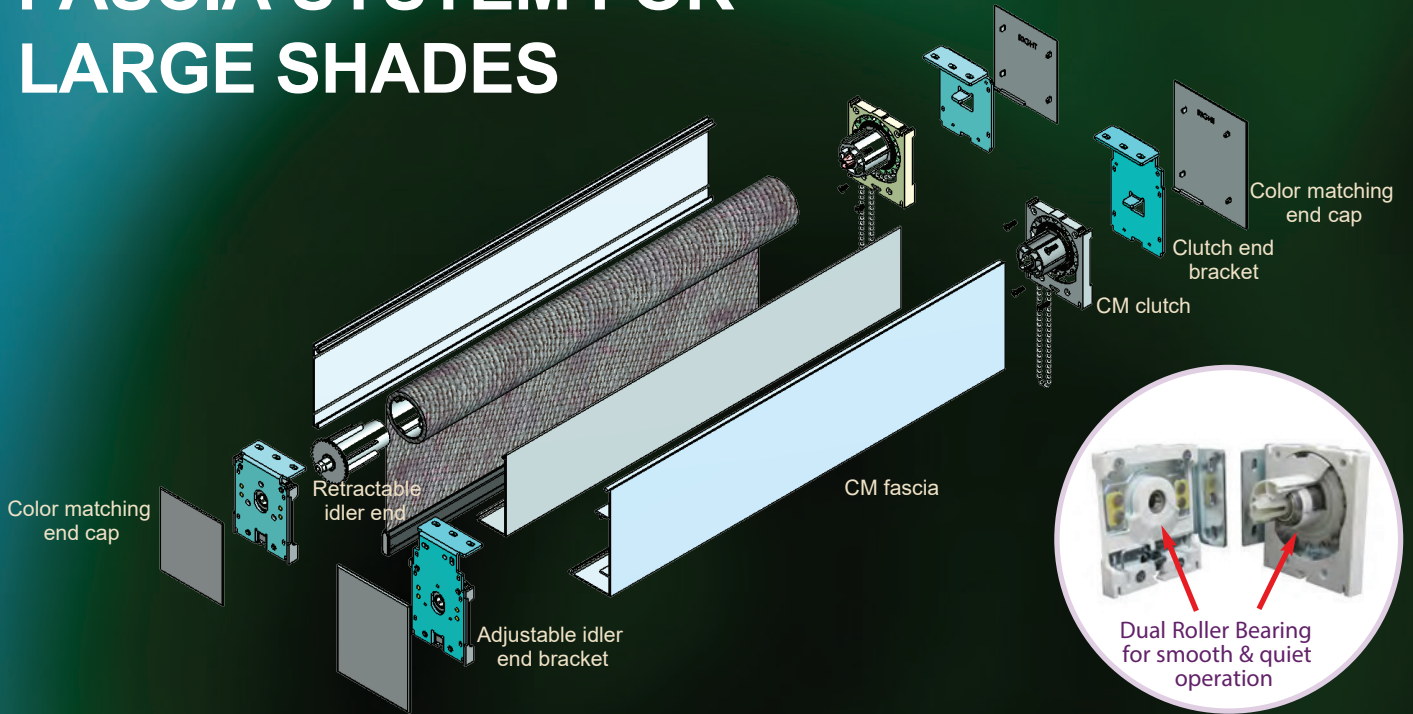


HEAVY DUTY FASCIA SYSTEM FOR LARGE SHADES



FEATURES & BENEFITS

1

Fascia ready to install, not need to be notched.

2

Ceiling and Wall mounting options.

3

Retractable & Spring loaded Idler End for easy installation

4

Adjustable Idler End bkt for easy leveling of the shades.

Down Up Allen Key

5

Adjustable intermediate bracket for multi-band shade applications.

6

Fascia can easily snap on and off.

7

Easy to install. Slide tube into CM clutch and clutch into the bracket.

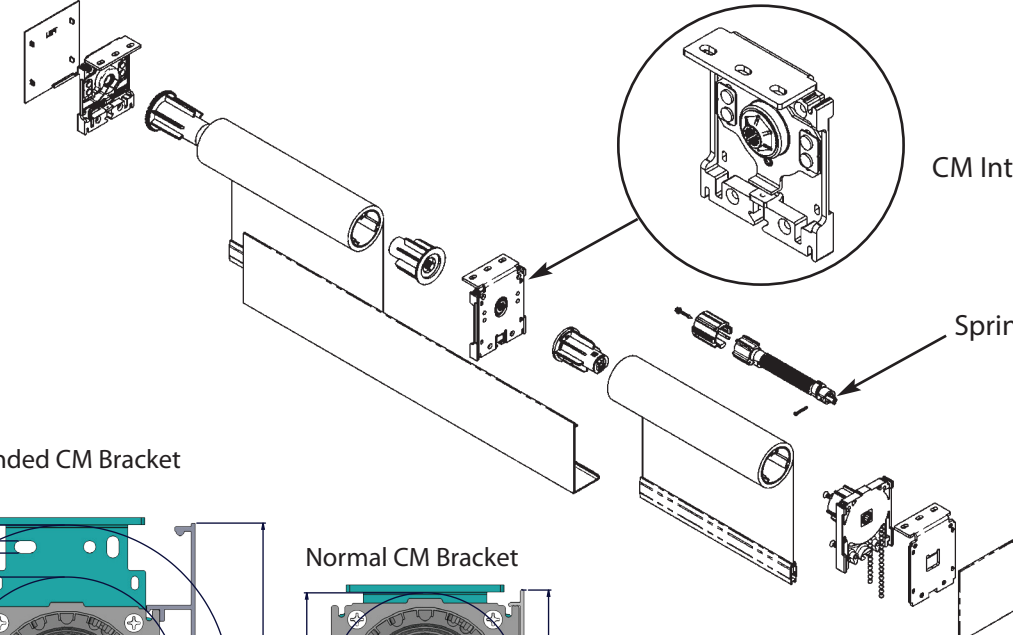
8

Compatible with 1-1/2" and 1-3/4" aluminum tubes, and Spring Assist system

See reverse side for details

CM FASCIA SYSTEM

FOR MULTI-BAND SHADES APPLICATION



CM Intermediate Bracket

Spring Assist

Extended CM Bracket

Normal CM Bracket

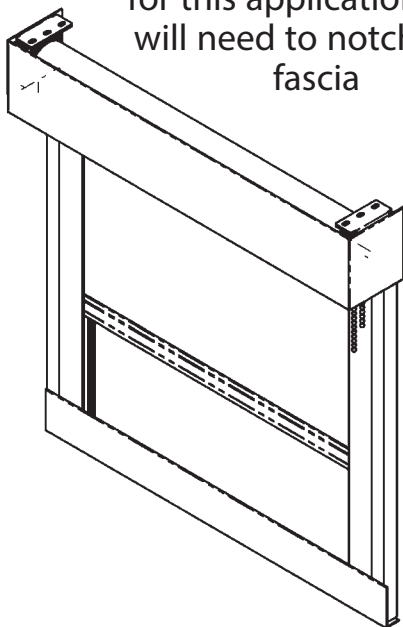
Recommended Max. Drop of Fabric*

		Normal CM BKT	EXTENDED CM BKT
Max. Roll Dia.		3" [76.2]	3.6" [91.5] (w/Fascia) 5.28" [134] (w/o Fascia)
Max. Drop	1.5" tube	14ft [4.2m]	21ft [6.4m] w/Fascia 52ft [15.6m] w/o Fascia
	1.75" tube	12.5ft [3.8m]	20ft [6.0m] w/Fascia 50ft [15m] w/o Fascia

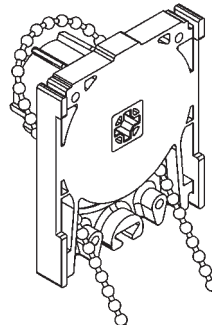
*Fabric thickness: 0.81mm(0.032")

COMPATIBLE WITH OUR SIDE CHANNEL SYSTEM

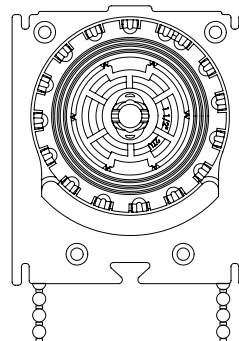
for this application you will need to notch the fascia



EASY BALL CHAIN INSTALLATION



Place the chain through the slots



and pull the chain to rotate the sprocket. The chain will slide in the right position.